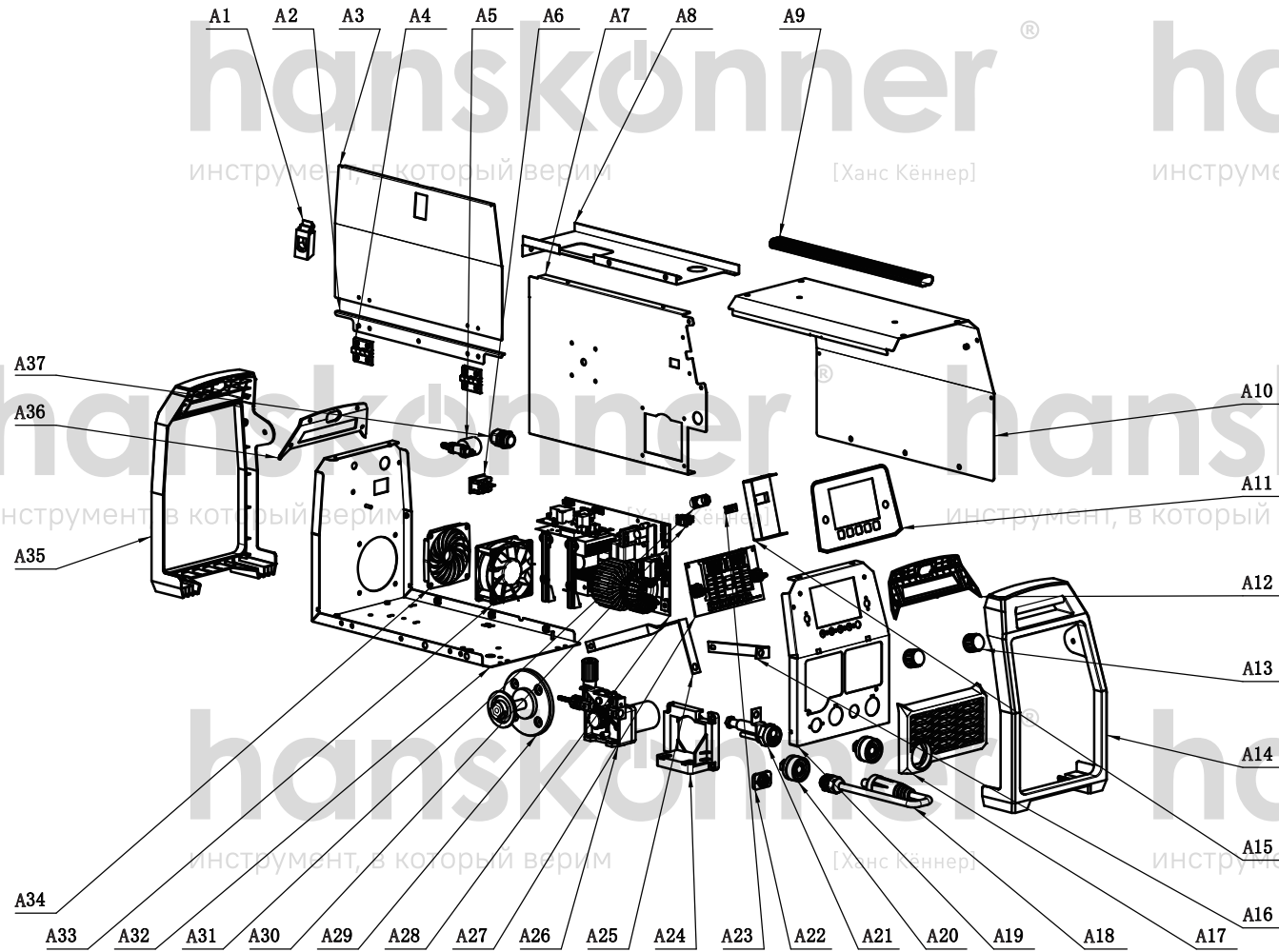


HWM2180MF



NO	DESCRIPTION
A1	LATCH
A2	DOOR PANEL DECORATIVE STRIP
A3	DOOR PANEL
A4	HINGE
A5	SOLENOID VALVE
A6	POWER SWITCH
A7	VERTICAL MIDDLE PARTITION
A8	TRANSVERSE MIDDLE PARTITION
A9	HANDLE
A10	RIGHT PANEL
A11	PANEL DECAL
A12	FRONT PLASTIC COVER
A13	KNOB
A14	FRONT PLASTIC COVER
A15	PANEL PROTECTIVE COVER
A16	ALUMINUM CONNECTIONS 1
A17	FAN HOOD
A18	QUICK CONNECTOR
A19	FRONT PANEL
A20	QUICK SOCKET
A21	TORCH COPPER CONNETOR KIT
A22	AVIATION SOCKET
A23	LIGHT BOARD
A24	WIRE FEEDER BRACKET
A25	ALUMINUM CONNECTIONS 2
A26	WIRE FEEDER
A27	SIMULATION PCB
A28	INVERTER MODULE
A29	REEL
A30	ROCKER SWITCH
A31	LAMPSHADE
A32	BASEBOARD
A33	FAN
A34	FAN GUARDS
A35	BACK PLASTIC COVER
A36	BACK PLASTIC COVER
A37	CABLE FIXTURES
A38	ELECTRODE HOLDER
A39	EARTH CLAMP
A40	3M MIG TORCH

HWM2180MF FRONT-BOARD

